



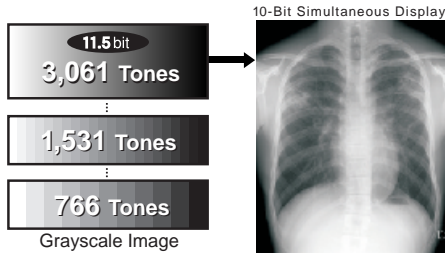
# RadiForce™ G51

21.3" CLASS MONOCHROME LCD MONITOR

5 megapixel monochrome LCD monitor with 10-bit (1,024 tones) simultaneous grayscale display for accurate diagnosis in mammography, DR, and CR

### 10-BIT GRAYSCALE DISPLAY

For precision grayscale rendering, the G51 contains an 11.5-bit look-up table for a grayscale palette of 3,061 tones from which 1,024 can be displayed simultaneously.



10-bit viewer software needed for 10-bit display. The G51 also supports 8-bit display.

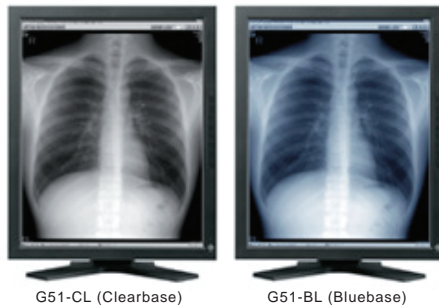
### 10-Bit Graphics Board

The optional MED5mp-PPP graphics board offers 10-bit output for simultaneous display of 1,024 grayscale tones. This board has been specially developed for mammography, CR, and other modalities requiring high definition display. Dual DVI-I ports support the connection of two monitors to the PC.



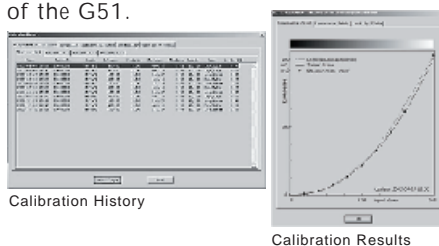
### CLEARBASE AND BLUEBASE

EIZO offers both clearbase and bluebase LCD panel types for the filmless environment.



### DICOM CALIBRATION

The optional Calibration Kit GX1 includes a photo sensor and software. The GX1 corrects changes in the backlight that occur over time for stable images for the lifetime of the G51.



# RadiForce™ G51

## 21.3" CLASS MONOCHROME LCD MONITOR

### BRIGHTNESS STABILITY

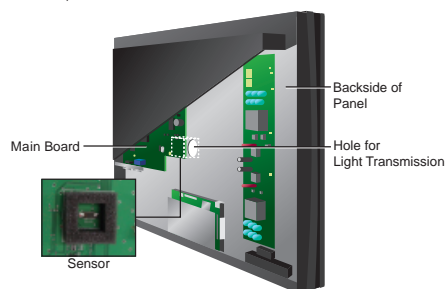
#### ● Drift Correction Circuit

Quickly stabilizes the brightness level after startup or coming out of power saving mode.

#### ● Auto Brightness Control

The monitor detects and automatically compensates for brightness changes caused by surrounding temperatures and the passage of time for stable brightness and longer service life.

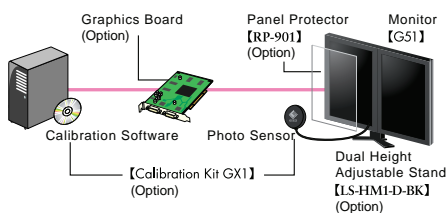
- This brightness control system is EIZO patented technology (Japan Patent Numbers 3171808 and 3193315; US Patent Number 6188380).



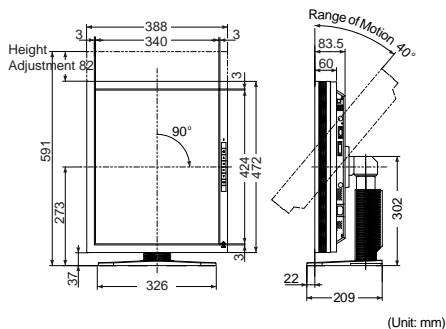
### SLIM BEZEL DESIGN

Narrow bezels along all four sides save space and require less eye movement in a multi-panel environment. Other features include an 82 mm height adjustable stand, 40° tilt, 70° swivel, and 90° portrait orientation.

### System Configuration



### Dimensions



### Specifications

Models	G51-CL, G51-BL
Panel Size and Type	54 cm (21.3") TFT monochrome LCD panel
Cabinet Color	Black
Pixel Pitch	0.165 x 0.165 mm
Grayscale Tones <sup>1</sup>	1,024 from a palette of 3,061
Viewing Angles	H: 170°, V: 170°
Scanning Frequency (H, V)	99.9 - 107.9 kHz, 50 ± 3 Hz
Native Resolution	2048 x 2560
Brightness	700 cd/m <sup>2</sup> (typical)
Contrast Ratio	800:1
Dot Clock	142 - 152 MHz
Response Time	100 ms
Input Signals	DVI Standard 1.0
Input Terminals	DVI-D 24 pin
USB Ports	1 upstream, 2 downstream
USB Standard	Rev. 1.1
Serial Ports	D-Sub 9 pin (Remote Out), Mini DIN 6 pin (Remote In), Mini DIN 8 pin (Photo Sensor)
Active Display Size (H x V)	422 x 338 mm
Viewable Image Size	540 mm (diagonal)
Plug & Play	VESA DDC2B
Screen Control	ScreenManager®
Power Requirements	AC 100 - 120V / 200 - 240V, 50 / 60 Hz
Power Management	DVI DMPM
Power Consumption	70 watts (typical)
Power Save Mode	Less than 6 watts
Height Adjustment Range	82 mm
Dimensions (W x H x D)	With Stand: 388 x 509 - 591 x 209 mm Without Stand: 388 x 472 x 84 mm
Net Weight	With Stand: 9.5 kg, Without Stand: 6.3 kg
Tilt / Swivel	40° Up, 0° Down / 35° Right, 35° Left
Pivot	90°
Certifications and Standards	TÜV/GM (EN60601-1), CE Medical Device Directive, CB (IEC60601-1), cTUVus (UL2601-1, CSA C22.2 No. 601-1), FCC-A, Canadian ICES-003-A, VCCI-A, EIZO Eco Products 2002
Supplied Accessories	AC power cord, signal cable (DVI-D - registration card)

<sup>1</sup> The G51 also supports simultaneous 8-bit display (256 grayscale tones).

With current LCD technology, a panel may contain a limited number of missing or flickering pixels.

### Accessories

#### GRAPHICS BOARDS

#### MED5mp-PPP 10-bit<sup>2</sup>

##### Graphics Board Specifications

Bus Interface	PCI 32-bit (33MHz)/ 64-bit (66 MHz)
Output Signal	DVI x 2
Display Resolutions (portrait mode) <sup>3</sup>	2048 x 2560 (Single head) 4096 x 2560 (Dual head)
Dot Clock	148 MHz
Scanning Frequency (H, V)	103.9 kHz, 50 Hz
Maximum Power Consumption	40W
System Requirements	
Compatible OS	Microsoft Windows XP/2000/NT 4.0 (SP6 or later)
Host Processor	600 MHz or greater
Frequency	
Main Memory	128 MB or greater

#### VREngine/MD5W 8-bit

##### Graphics Board Specifications

Bus Interface	PCI 32-bit (33MHz)
Output Signal	DVI x 2
Display Resolutions (portrait mode) <sup>3</sup>	2048 x 2560 (Single head) 4096 x 2560 (Dual head)
Dot Clock	148 MHz
Scanning Frequency (H, V)	103.9 kHz, 50 Hz
Maximum Power Consumption	15W
System Requirements	
Compatible OS	Microsoft Windows XP/2000/NT 4.0 (SP6 or later)
Host Processor	500 MHz or greater
Frequency	
Main Memory	256 MB or greater

<sup>2</sup> 8-bit output also supported.

<sup>3</sup> Landscape mode also supported.

#### CALIBRATION KIT

#### RadiForce Calibration Kit GX1

Includes photo sensor and calibration software.

#### PANEL PROTECTOR

#### RP-901

Protects the screen from dust and scratches.

#### DUAL HEIGHT ADJUSTABLE STAND

#### LS-HM1-D-BK

Holds two monitors, offers a height adjustment range of 75 mm in 6 stages, and supports portrait and landscape orientation.

#### CLIENT MANAGEMENT SOFTWARE

#### Screen Administrator

Enables various setup and management tasks of the G51 and its assigned PC to be executed across a network from a single server PC.

Specifications are subject to change without notice.

All product names are trademarks or registered trademarks of their respective companies. RadiForce and Screen Administrator are trademarks, and EIZO is a registered trademark of Eizo Nanao Corporation.

Copyright © 2003 Eizo Nanao Corporation. All rights reserved.

EIZO NANA O CORPORATION

153 Shimokashiwano, Matto, Ishikawa 924-8566 Japan

Phone +81-76-277-6792 Fax: +81-76-277-6793

www.eizo.com

