



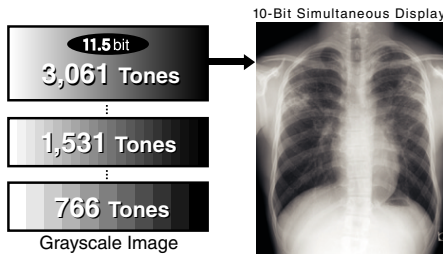
RadiForce™ G31

20.8" CLASS MONOCHROME LCD MONITOR

3 megapixel monitor with 10-bit (1,024 tones) simultaneous grayscale display from an 11.5-bit (3,061 tones) palette for high definition medical images

10-BIT GRAYSCALE DISPLAY

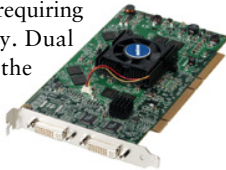
For precision grayscale rendering, the G31 contains an 11.5-bit look-up table for a grayscale palette of 3,061 tones from which 1,024 can be displayed simultaneously.



· 10-bit viewer software needed for 10-bit display. The G31 also supports 8-bit display.

● 10-Bit Graphics Board

The optional MED3mp-PPP graphics board offers 10-bit output for simultaneous display of 1,024 grayscale tones. This board has been specially developed for mammography, CR, and other modalities requiring high definition display. Dual DVI-I ports support the connection of two monitors to the PC.



BRIGHTNESS STABILITY

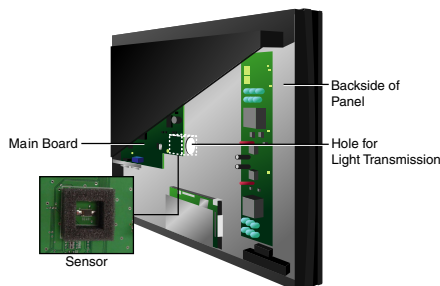
● Drift Correction Circuit

Quickly stabilizes the brightness level after startup or coming out of power saving mode.

● Auto Brightness Control

The monitor detects and automatically compensates for brightness changes caused by surrounding temperatures and the passage of time for stable brightness and longer service life.

· This brightness control system is EIZO patented technology (Japan Patent Numbers 3171808 and 3193315; US Patent Number 6188380).

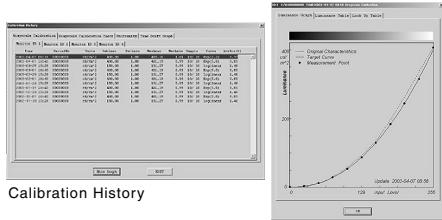


RadiForce™ G31

20.8" CLASS MONOCHROME LCD MONITOR

DICOM CALIBRATION

Comprised of a photo sensor and calibration software, the Calibration Kit GX1 ensures DICOM compliance and consistent image display over the lifetime of the G31.



Calibration History

Calibration Results

OPTIONAL GRAPHICS BOARDS

In addition to the MED3mp-PPP, EIZO also offers the VREngine/MD3W. Both graphics boards include two DVI-I inputs for dual panel setups and support landscape and portrait modes for use with various applications.



10-bit/8-bit: MED3mp-PPP

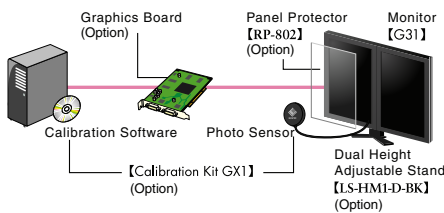


8-bit: VREngine/MD3W

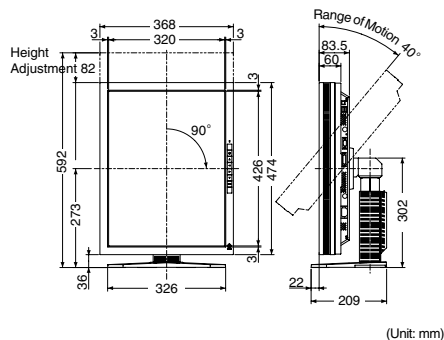
SLIM BEZEL DESIGN

Narrow bezels along all four sides save space and require less eye movement in a multi-panel environment. Other features include an 82 mm height adjustable stand, 40° tilt, 70° swivel, and 90° portrait orientation.

System Configuration



Dimensions



Specifications

| | |
|------------------------------|---|
| Panel Size and Type | 53 cm (20.8") TFT monochrome LCD panel |
| Cabinet Color | Black |
| Pixel Pitch | 0.207 x 0.207 mm |
| Grayscale Tones ¹ | 1,024 from a palette of 3,061 |
| Viewing Angles | H: 170°, V: 170° |
| Scanning | 92.86 – 96.72 kHz, 60 Hz |
| Frequency (H, V) | |
| Native Resolution | 1536 x 2048 |
| Brightness | 700 cd/m ² (typical) |
| Contrast Ratio | 900:1 |
| Dot Clock | 132 MHz (maximum) |
| Response Time | 50 ms (typical) |
| Input Signals | DVI Standard 1.0 |
| Input Terminals | DVI-D 24 pin |
| USB Ports | 1 upstream, 2 downstream |
| USB Standard | Rev. 1.1 |
| Serial Ports | D-Sub 9 pin (Remote Out), Mini DIN 6 pin (Remote In), Mini DIN 8 pin (Photo Sensor) |

| | |
|------------------------------|--|
| Active Display Size (H x V) | 318 x 424 mm |
| Viewable Image Size | 529 mm (diagonal) |
| Plug & Play | VESA DDC2B |
| Screen Control | ScreenManager® |
| Power Requirements | AC 100 – 120V / 200 – 240V, 50 / 60 Hz |
| Power Management | DVI DMPM |
| Power Consumption | 70 watts (typical) |
| Power Save Mode | Less than 6 watts |
| Height Adjustment Range | 82 mm |
| Dimensions (W x H x D) | With Stand: 368 x 510 – 592 x 209 mm Without Stand: 368 x 474 x 83.5 mm |
| Net Weight | With Stand: 9.5 kg, Without Stand: 6.3 kg |
| Tilt / Swivel | 40° Up, 0° Down / 35° Right, 35° Left |
| Pivot | 90° |
| Certifications and Standards | TÜV/GM (EN60601-1), CE Medical Device Directive, CB (IEC60601-1), cTUVus (UL2601-1, CSA C22.2 No. 601-1), FCC-A, Canadian ICES-003-A, VCCI-A, EIZO Eco Products 2002 |
| Supplied Accessories | AC power cord, signal cable (DVI-D – DVI-D), user's manual, warranty registration card |

¹ The G31 also supports simultaneous 8-bit display (256 grayscale tones).

With current LCD technology, a panel may contain a limited number of missing or flickering pixels.

Accessories

GRAPHICS BOARDS

MED3mp-PPP 10-bit²

Graphics Board Specifications

| | |
|---------------------------|---|
| Bus Interface | PCI 32-bit (33 MHz)/ 64-bit (66 MHz) |
| Output Signal | DVI x 2 |
| Display Resolutions | 1536 x 2048 (Single head) (portrait mode) ³ 3072 x 2048 (Dual head) |
| Dot Clock | 130 MHz |
| Scanning Frequency (H, V) | 96.7 kHz, 60 Hz |
| Maximum Power Consumption | 40 Watts |

System Requirements

| | |
|----------------|---|
| Compatible OS | Microsoft Windows XP/2000/NT 4.0 (SP6 or later) |
| Host Processor | 600 MHz or greater |
| Frequency | |
| Main Memory | 128 MB or greater |

VREngine/MD3W 8-bit

Graphics Board Specifications

| | |
|---------------------------|---|
| Bus Interface | PCI 32-bit (33 MHz) |
| Output Signal | DVI x 2 |
| Display Resolutions | 1536 x 2048 (Single head) (portrait mode) ³ 3072 x 2048 (Dual head) |
| Dot Clock | 65 MHz |
| Scanning Frequency (H, V) | 96.72 kHz, 60 Hz |
| Maximum Power Consumption | 15 Watts |

System Requirements

| | |
|----------------|---|
| Compatible OS | Microsoft Windows XP/2000/NT 4.0 (SP6 or later) |
| Host Processor | 500 MHz or greater |
| Frequency | |
| Main Memory | 256 MB or greater |

² 8-bit output also supported.

³ Landscape mode also supported.

CALIBRATION KIT

RadiForce Calibration Kit GX1

Includes photo sensor and calibration software.

PANEL PROTECTOR

RP-802

Protects the screen from dust and scratches.

DUAL HEIGHT ADJUSTABLE STAND

LS-HM1-D-BK

Holds two monitors, offers a height adjustment range of 75 mm, and supports portrait and landscape orientation.

CLIENT MANAGEMENT SOFTWARE

Screen Administrator

Enables various setup and management tasks of the G31 and its assigned PC to be executed across a network from a single server PC.

Specifications are subject to change without notice.

All product names are trademarks or registered trademarks of their respective companies. RadiForce and Screen Administrator are trademarks, and EIZO is a registered trademark of Eizo Nanao Corporation.

Copyright © 2003 Eizo Nanao Corporation. All rights reserved.

EIZO NANO CORPORATION

153 Shimokashiwano, Matto, Ishikawa 924-8566 Japan

Phone +81-76-277-6792 Fax: +81-76-277-6793

www.eizo.com

