



Connect your current imaging equipment to the DICOM network.

## the DiCOM box<sup>®</sup> CA+

### *Cine to DICOM*

The DiCOM box CA+ is a universal DICOM interface that allows users to review dynamic images and cine loops outside the normal confines of modality workstations. The CA+ provides real time video acquisition and DICOM conversion from both monochrome and color video sources, capturing at least ten seconds of video data acquired at 30fps in RGB or 1K x 1K monochrome. Acquisition rates are selectable from 3.75 to 30 fps, and record modes include R wave trigger,

prospective and retrospective. The CA+ simplifies the connectivity process and provides cine acquisition, lossless and lossy image compression, DICOM Store, Print, Performed Procedure Step and Storage Commitment for ultrasound fluoroscopic and cardiac angiographic systems. The CA+ can be fully integrated to HIS/RIS.

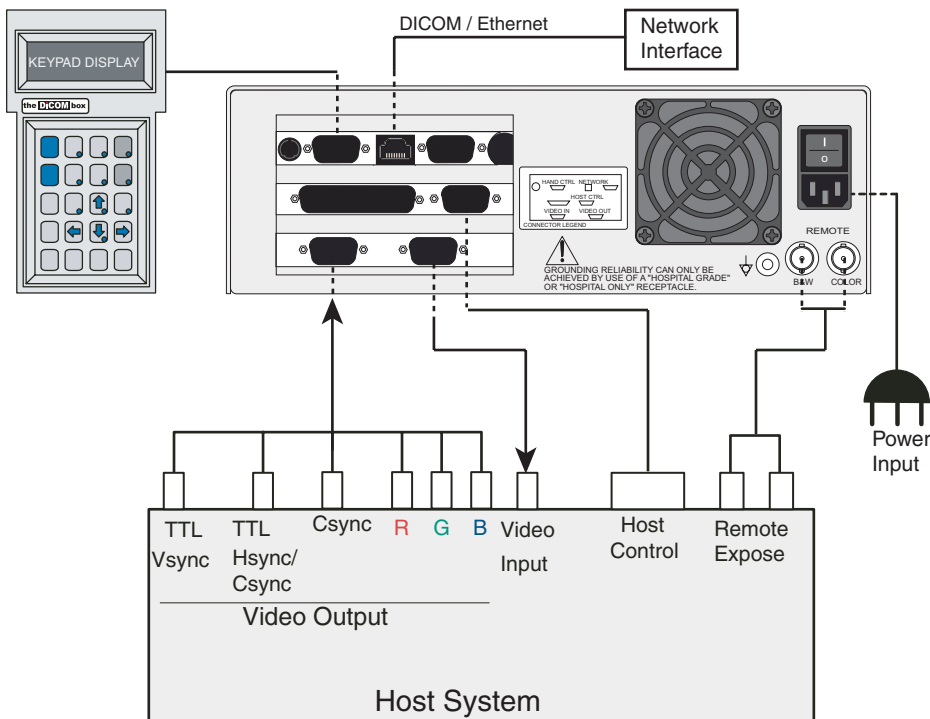
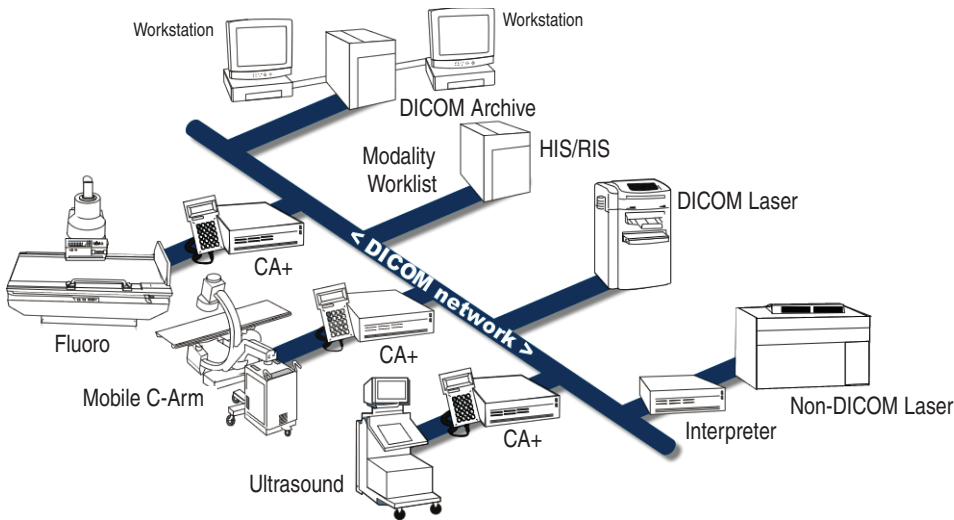
For additional information, contact NAI Tech Products Toll Free at 866-342-6629, or 530-887-1008.

### Features:

- DICOM Print, DICOM Store
- Modality Worklist
- Modality Performed Procedure Step (MPPS)
- Storage Commitment
- Real-time video acquisition up to 10 seconds RGB color or monochrome
- R-wave trigger 1 to multiple cycles
- Prospective and retrospective record modes from every frame to every seventh frame
- Playback review through host display or attached VGA/NTSC display (not included)
- DICOM compliant JPEG lossy compression or non-compressed transfer
- Interlaced or non-interlaced video input
- Software and option upgradability in the field
- Remote administration via telnet & FTP

# the DiCOM box

## CA+ - Cine to DICOM



12919 Earhart Avenue, Auburn, CA 95602 USA  
Ph: 1-866-342-6629 • 1-530-887-1008 • Fax: 1-530-887-1108  
www.dicombox.com

- **DICOM Service Classes**
  - DICOM Print
  - DICOM Store
  - DICOM Modality Worklist
  - Modality Performed Procedure Step
  - Storage Commitment
- **Video Input (terminated, 75 ohms)**
  - Red, Green, Blue (RGB) and composite sync
  - Monochrome composite video on green video input
  - TTL composite or separate sync
  - Nominal 525/625lines 30/25 fps
  - interlaced or non-interlaced
  - Pixel Clock Minimum: 7 MHz.
  - Pixel Clock Max: 40 MHz / RGB
  - 120 MHz Monochrome
  - Image Matrix Max: 1024 x 1024 Monochrome
  - 800 x 600 RGB
- **Video Output** locked to video input, or VGA
- **Video Acquisition**
  - Approximately 10 seconds at 30/25fps
  - 384MB video acquisition RAM
  - 30, 15, 10, 7.5, 6, 5, 4, 3 fps acquisition rates
- **Acquisition modes**
  - Retrospective, Prospective,
  - R Wave Trigger - 1 to multiple cycles
- **Image Review**
  - Configurable for image playback through host display
  - Variable frame rate playback freeze frame to 30fps
- **Network**
  - Ethernet 10/100 base T - selectable
- **Image Compression**
  - JPEG lossy, or uncompressed
- **Connectors**
  - Video I/O High Density DB15, Female pins
  - Network: 8 pin modular jack (RJ45)
  - Operator Interface Keypad: DB9, Male pins
  - Host Control Input: DB9, Male pins
  - Remote Capture Input: BNC, Female pins
- **Power Input**
  - 115-230 Volts,  $\pm 15\%$  47-63 Hz, 120 VA
- **Physical Characteristics**
  - Module**
    - Height: 3.25 inches (8.25 cm)
    - Width: 10.125 inches (25.72 cm)
    - Depth: 14.125 inches (35.88 cm)
    - Weight: 8 pounds (3.68 kg)
  - Keypad**
    - Height: 7.15 inches (18.16 cm)
    - Width: 4.10 inches (10.41 cm)
    - Depth: 0.95 inches (2.41 cm)
    - Weight: 8 ounces (227g)
- **Environmental Operating**
  - Temperature: +50°F to +104°F, (+10°C +40°C)
  - Barometric pressure: 700 hPa to 1060 hPa
  - Relative Humidity: 5% to 80% non condensing
- **Transit**
  - Temperature: +14°F to +122°F (-10°C to +50°C)
  - Relative Humidity: 5% to 85% non condensing
- **Clearance Requirements**
  - 3 inches (7.6cm) for rear panel cable connection
  - Do not obstruct ventilation airflow at front and rear of module
- **Agency Approvals / Classification**
  - UL 2601-1; IEC601-1; IEC601-1-2
  - CSA601.1
  - FCC part 15